



Rubinetterie Italiane Velatta SpA
— since 1950 —

>> YOU need
the BEST

GLadio

INSTALLATION, USE & MAINTENANCE MANUAL



Year 2021	Rev. 1
-----------	--------

Product Description

- >> GLADIO is a new generation of knife gate valve, specifically designed for use on Slurry tankers, Sewage cleaning tanks, and Biogas plants.
- >> To offer maximum versatility in installation, GLADIO is equipped as standard with a double flange, one for square agri flange connection (Agristandard) and one DIN PN 10, or ANSI 150 for the American market.
- >> As a result of its special design, GLADIO is a 'non-clogging' gate valve and can therefore be installed in any position.
- >> Large self-cleaning seat.
- >> Safety: GLADIO is equipped with a robust protective casing, which completely isolates the moving parts of the gate valve.
- >> Stainless steel screws and tie rods to prevent corrosion.
- >> Equipped with open / closed position indicator.
- >> Extremely maintenance-friendly, all parts are easily replaceable once worn.
- >> GLADIO knife gate valves are partially bi-directional, i.e. they are shut-off devices with a preferential flow direction indicated by an arrow on the body.
Flow through the gate valve in the preferential direction can be blocked up to the Nominal Pressure (PN), while reverse flow can be blocked up to a maximum pressure of one third of the Nominal Pressure.


Certifications & Standards


Compliance with the following standards:

- | |
|---|
| >> Directive ATEX 2014/34/UE
Items Riv 122, Riv 123, Riv 132, Riv 133 |
| >> Directive PED 2014/68/UE |
| >> Legislative Decree Nr.26 dated 15 February 2016 |

Handling

Previously check that all lifting devices are suitable for the weight of the gate valve.
In case of heavy products, always use a pair of eyebolts screwed into the flange holes or alternatively use a lifting belt wrapped around the central part of the body.


 The products must be handled by properly trained staff; the lifting hooks and/or belt must be used in accordance with the load limits indicated for them and following carefully the manufacturers' instructions.

 Never try to lift the gate valve from the control device (handwheel or one of several actuator types) or by inserting a belt inside the fluid channel after lifting the wedge.
These actions can often result in damages to the gate valve and are potentially dangerous for the handling operator

Storage

In case of long-term storage, it is recommended to store the gate valves and their components in a dry and safe place - preferably in a wooden or cardboard box in order to protect them from damage, dust and direct sunlight, max. temperature: 40°C / 100°F

Installation

-  The product must be installed by skilled staff equipped with appropriate safety equipment (gloves, safety shoes, glasses, etc.)
The plant must be secured, depressurized and discharged from fluids.

CONNECTIONS:

Gate valves from DN 100 to DN 200 have a double flange connection:

- >> By square agri flange (**Agristandard**) with No.4 blind holes M12 and flange UNI EN1092-1 Type11 PN10 without grooving.

Or alternatively, for the American

- >> By square agri flange (**Agristandard**) with No.4 blind holes M12 and ASME B16.5 Cl.150 Welding Neck Flange (ANSI150) without grooving.

DN 250 has a single flange connection:

- >> UNI EN1092-1 Type11 PN10 without grooving.

Or alternatively, for the American

- >> ASME B16.5 Cl.150 Welding Neck Flange (ANSI150) without grooving.

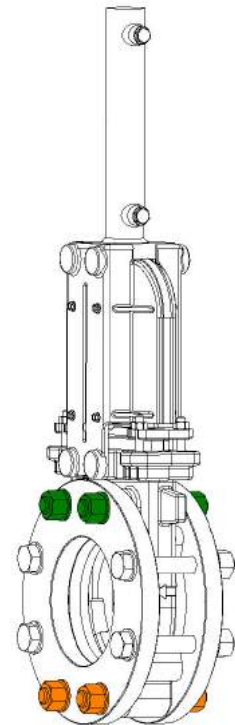
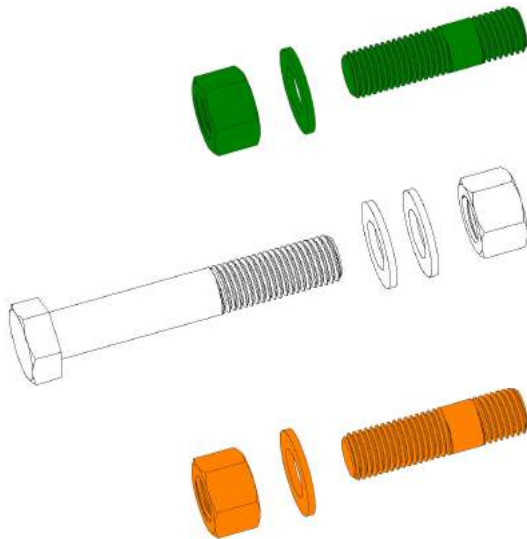
Tables reporting screws size to be used for installation and related tightening torques:

Flange / Flanges UNI EN1092-1 Type11 PN10							
DN	Vite Testa Esagonale Hexagonal Head screws	Qta Qty	Torque	Vite Prigioniera Stud Bolt	Qta Qty	Torque	Torque
100	M16 x 120	4	80Nm	M16 x 55	8	80Nm	60Nm
125	M16 x 120	4	80Nm	M16 x 55	8	80Nm	60Nm
150	M20 x 130	4	90Nm	M20 x 65	8	90Nm	70Nm
200	M20 x 140	4	90Nm	M20 x 70	8	90Nm	70Nm
250	M20 x 150	4	90Nm	M20 x 75	16	90Nm	70Nm

Flange quadre / Square Flanges "Agristandard"			
DN	Vite Prigioniera Stud Bolt	Qta Qty	Torque
100	M12 x 45	8	50Nm
125	M12 x 45	8	50Nm
150	M12 x 45	8	50Nm
200	M12 x 45	8	50Nm


Flange / Flanges ASME B16.5 Cl.150 Welding Neck (ANSI150)							
DN	Vite Testa Esagonale Hexagonal Head screws	Qta Qty	Torque	Vite Prigioniera Stud Bolt	Qta Qty	Torque	Torque
100	5/8UNC x 4"3/4	4	80Nm	5/8UNC x 2"1/2	8	80Nm	60Nm
125	5/8UNC x 4"3/4	4	80Nm	5/8UNC x 2"1/2	8	80Nm	60Nm
150	3/4UNC x 5"1/2	4	90Nm	3/4UNC x 2"3/4	8	90Nm	70Nm
200	3/4UNC x 6"	4	90Nm	3/4UNC x 3"	8	90Nm	70Nm
250	7/8UNC x 7"	4	100Nm	7/8UNC x 3"1/4	16	100Nm	77Nm

Flange quadre / Square Flanges "Agristandard"			
DN	Vite Prigioniera Stud Bolt	Qta Qty	Torque
100	M12 x 45	8	50Nm
125	M12 x 45	8	50Nm
150	M12 x 45	8	50Nm
200	M12 x 45	8	50Nm



TO INSTALL THE PRODUCT APPROPRIATELY, PROCEED AS FOLLOWS:

1. The pipe must be clean.
2. The pipe flanges must have clean and undamaged sealing surfaces, free from radial scratches, bumps or other damage.
3. The inside of the body, sealing surfaces and blade of the gate valve shall be clean and free of scratches or other damage.
4. The seals between the gate valve and the flanges shall be clean and free from damage.
5. Check that the distance between the pipe flanges is adequate to insert the gate valve without damaging the surfaces and/or seals.
6. If the gate valve is to be installed in an ATEX environment, ensure that it is appropriately marked in accordance with the specifications of the installation site. Gate valves installed in an ATEX environment must have appropriate electrical continuity devices checked for effectiveness. Any accessories present on the gate valve (e.g. end-of-stroke sensors) must be appropriately marked in accordance with the specifications of the installation site.
7. Insert the gate valve between the flanges ensuring the correct position of the arrow indicating the preferred direction of flow.
8. Screw the studs (Green and Orange) to the valve body on both sides.
9. Couple the gate valve to the upstream pipe flange and apply the nuts without tightening them firmly, center the valve on the flange and tighten the nuts as per the torque values indicated above, making sure to cross-lock them for even fastening.
10. Repeat the same procedure for the installation of the downstream flange. Insert the (white) bolts between the flanges and tighten them as per the above torque values, making sure to cross-lock them for even fastening.

 **IMPORTANT!** both pipes must be securely fastened/clamped in such a way that their weight does not stress or damage the gate valve and to ensure that the latter is not stressed or damaged by any expansion and/or contraction of the pipes due to temperature variations.

After installation, open and close the gate valve without fluid inside the pipe to check for the smooth functioning.

Then, test the system under pressure, progressively increasing the pressure until it reaches its maximum value.



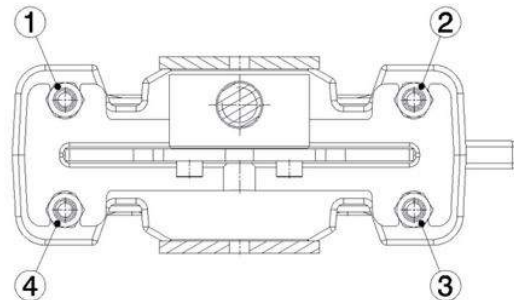
Rubinerterie Italiane Velatta SpA
since 1950

>> YOU need
the BEST

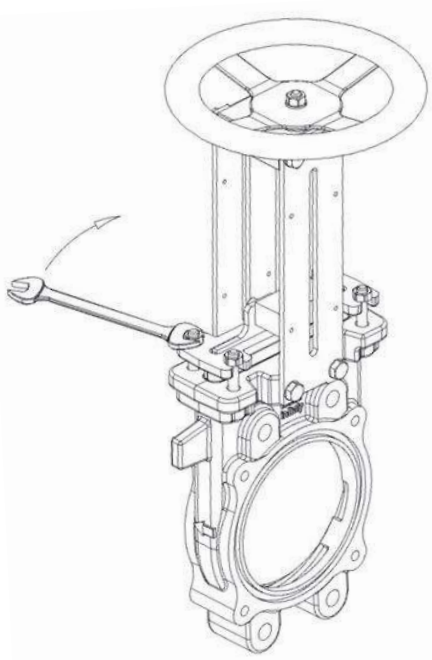
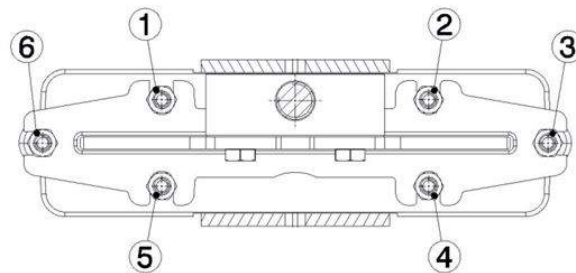
Should you notice a small amount of fluid leaking from the stuffing box during the first pressure test (due to settling of the gasket pack), this can be easily eliminated by tightening the nuts with a hexagonal spanner.

Tightening should be progressive (we suggest a quarter turn for each nut) following the specified sequences:


1 > 3 > 4 > 2

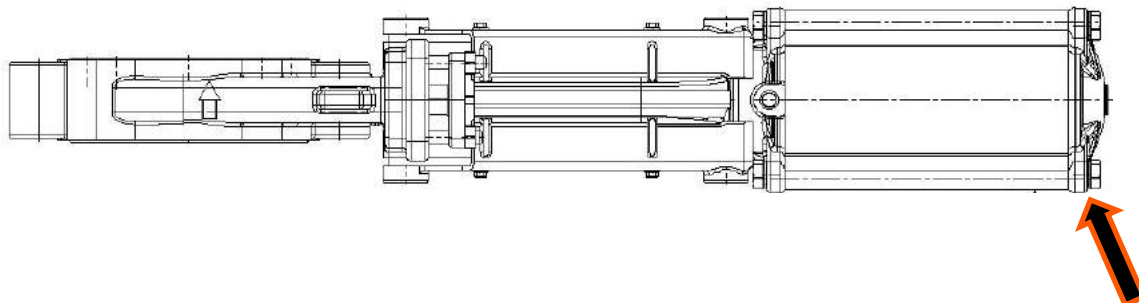



1 > 4 > 6 > 2 > 5 > 3



The GLADIO series gate valves have the advantage of being installable in any position.

 For models equipped with actuators, we recommend bracketing the upper part of the actuator to a support to avoid oscillations (see drawing).

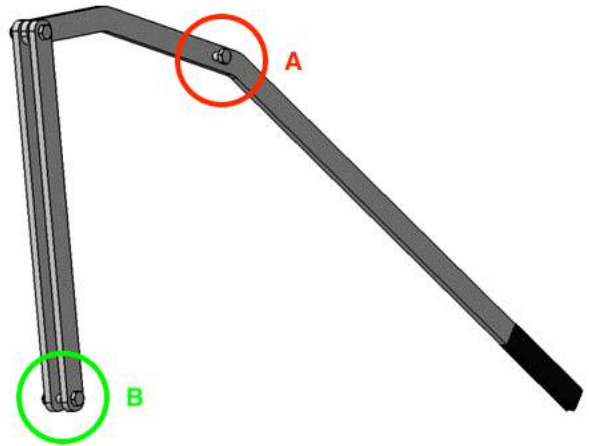
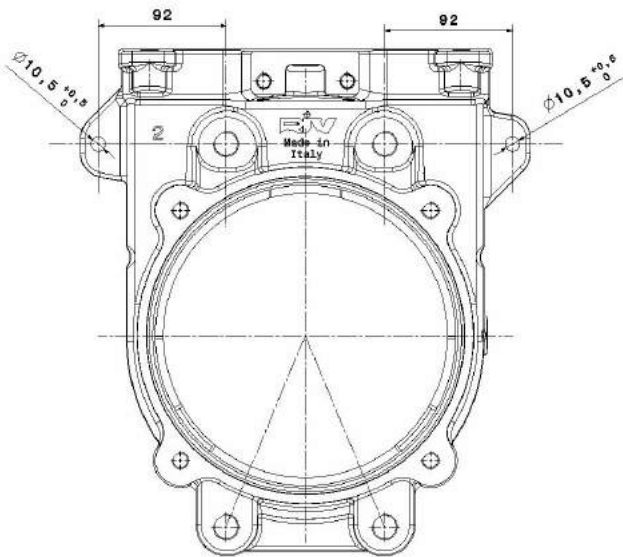


 **WARNING!** It is recommended to pay attention not to exceed the maximum working pressure indicated on the valve (PN) and stated in the technical documents. In case of doubt, please contact the RIV SpA Technical Service.

OPERATING LEVER ASSEMBLY:

Riv 120 & Riv 130 gate valves are opened and closed by means of Riv 149 operating lever, to be installed as described:

- 1) Drill one of the two studs as required, with a diameter of between 10.5 and 11.0 mm (must allow for the passage of an M10 screw).
After drilling, it is advisable to protect the exposed metal with a coat of paint or protect the part with a film of grease.



- 2) Assemble using the bolts supplied with the lever.
- 3) Fit the circled part "A" of the lever to the fork of the gate valve.
- 4) Fix the circled part "B" of the lever on the previously drilled valve body stud.



CAUTION: we recommend a "soft" tightening of the bolts, until a significant reduction in play is obtained, but without preventing the necessary rotational movement of the lever. Check that the self-locking ring of the nut is always in place.

Excessive and bolts the correct levers.

tightening of nuts could compromise functioning of the





Electrical motor technical data

- >> Power supply: **12 V DC**
- >> Power: **132 W**
- >> Current: **11 A**
- >> Motor protection grade: **IP 69K**
- >> Opening force: **6000 N**
- >> Closing force: **6000 N**
- >> Closing/opening speed: **About 4mm/s**
- >> Operating temperature: **from -5°C to +45°C (from 23°F to 113°F)**
- >> Operating temperature at full performance: **from +5°C to +35°C (from 41°F to 95°F)**
- >> Duty cycle: **25% at temperature of +25°C (77°F)**
Pause time equal at least three times the operating time,
(Ex. 30 seconds ON followed by at least 90 seconds OFF)
Max. 2 minutes of continuous use

- >> Power & signals cable length: **5 m**
- >> Analogic position feedback with potentiometer
- >> Integrated limit switches

Wiring:

- >> Power cable wiring 2,5mm² section

✓ Knife gate valve closing:
Black cable to - **NEGATIVE** polarity
Red cable to + **POSITIVE** polarity

✓ Knife gate valve opening:
Black cable to + **POSITIVE** polarity
Red cable to - **NEGATIVE** polarity

- >> Feedback cable wiring (potentiometer) 0,75mm² section

Black and White cable are the ends of the resistance

Red cable detects resistance variation

- ✓ The resistance detected between the Red and the Black cable increases by closing the knife gate valve and decreases by opening the knife gate valve.
- ✓ The resistance detected between the Red and the White cable decreases by closing the knife gate valve and increases by opening the knife gate valve.

The integrated limit switches are internally wired and shut-off the power when the actuator reaches one of the two mechanical stroke-end.


During normal operation of the gate valve the power must be shut-off, both in opening and closing position and in relation to the position signal received from the potentiometer.

The circuit must also provide two limitations of the current flow, both in opening and closing direction, that could shut-off the power if the motor absorption reaches the maximum acceptable level (11 Ampere).

Maintenance

RIV SpA shall not be held responsible for any damage to persons and/or property due to maintenance tasks performed incorrectly or using non-original parts.

Any modification to the product is expressly forbidden unless previously agreed and approved by RIV SpA Quality Service or Technical Service; in any case, this will result in the immediate forfeiture of warranty.

-  All maintenance works must be carried out by skilled staff using the appropriate safety equipment (gloves, safety shoes, glasses, etc.).
The plant must be secured, depressurized and discharged from fluids.
The operating fluid must be disposed of in compliance with any provisions of law.
If necessary, flush the pipeline to ensure that it does not contain any potentially harmful fluid residues and/or vapours.

MAINTENANCE FOR ALL GATE VALVE MODELS

- >> Replacing the rubber seal seat, the threaded seat-retaining ring and the blade - this necessarily involves replacing the blade seal set.

The following spare parts are required for this maintenance operation:

- ✓ 1 Rubber seat seal Riv 9847
- ✓ 1 Threaded seat-retaining ring Riv 9848 (or Riv 9845 for gate valve dating back to before June 2019)
- ✓ 1 Riv 9818 blade (replace it, if necessary)
- ✓ 1 Set of Riv 9836 blade sealing gaskets (packing chamber gaskets).

DISASSEMBLY:

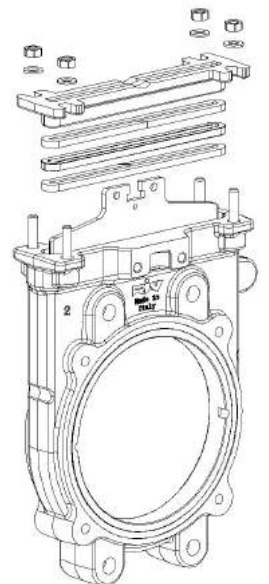
- a) Uninstall the gate valve from the system, wash it and clear it of any residue.
- b) If present, remove the two covers (item 19) by unscrewing the 8 screws (item 16).
- c) Remove one of the two brackets (item 17) by unscrewing the 4 screws (item 18).
Once the gate valve control device (terminal block with fork, handwheel, actuator) has been adequately rested or supported, remove the second bracket (item 17) by unscrewing the other 4 screws (item 18).

For Riv 121 & Riv 131 models:

- d) Remove the nut (item 28) from the blade (item 2) by unscrewing the two screws (item 13). Set the operating unit aside temporarily for subsequent reassembly.

For all other models:

- e) Remove the two blade attachments (item 14) by unscrewing the two nuts (item 15) and then removing the two screws (item 13). Temporarily set aside the end block with fork or actuator for subsequent reassembly.
- f) Unscrew the Riv 9848 threaded seat-retainer ring (item 3) from its housing, or Riv 9845 if the gate valves were installed before June 2019; in this case, raise the ring locking tabs with a screwdriver; during this operation, take great care to avoid damaging the gate valve body.
- g) After unscrewing the 4 or 6 nuts (item 11) remove the stuffing box (item 9) by pulling it off the blade.
- h) Remove the worn gaskets from the packing chamber.
- i) Remove the blade (item 2) by pulling it out of the body.
- j) Remove the worn seat gasket (item 4).

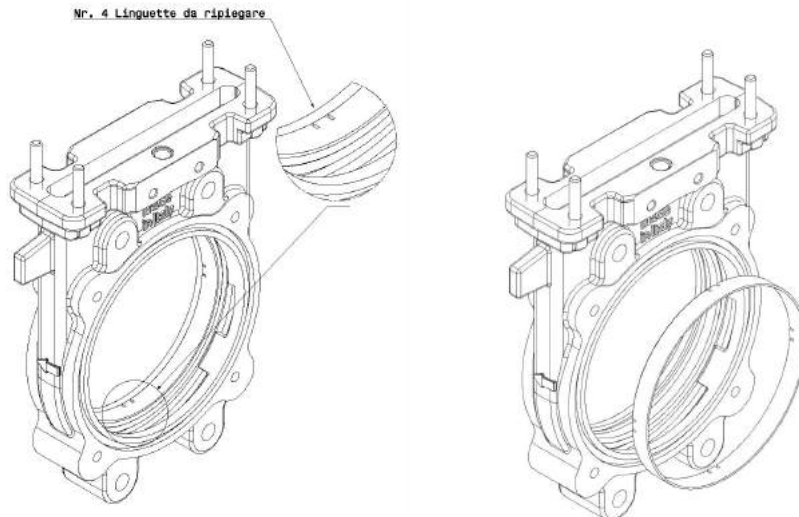


ASSEMBLY:

- k) Thoroughly clean the inside of the gate valve body and lubricate it along with the components before assembly.

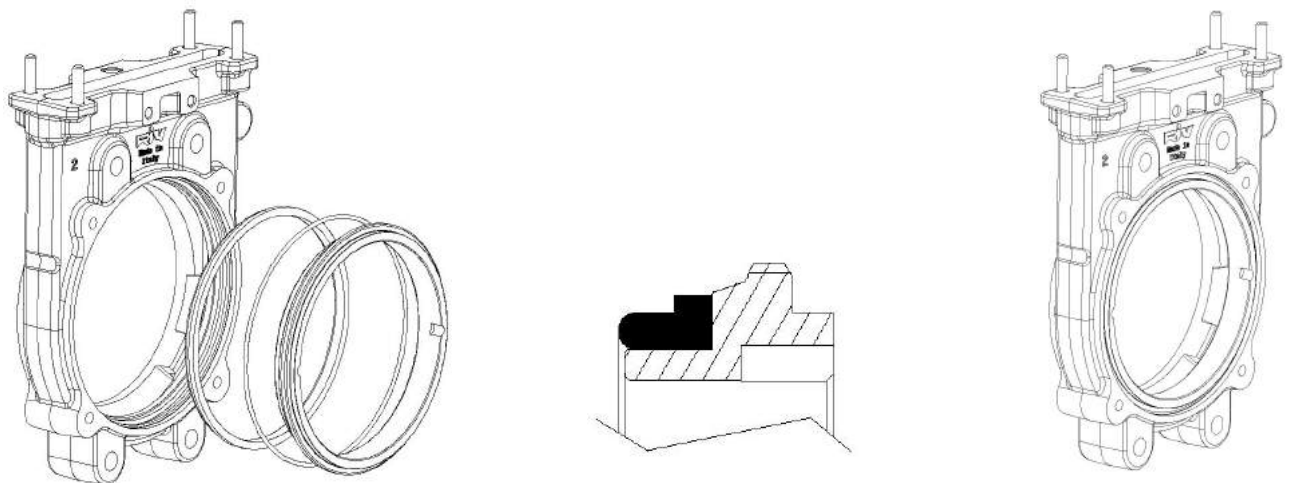
For gate valves dating back to before June 2019:

- l) insert a new seat gasket Riv 9847 (item 4) and the fixing ring Riv 9845 (item 3) which must be locked by folding the 4 tabs in the locking groove using a hammer and a small chisel or a screwdriver.




Models dating back to after June 2019:

- m) After inserting the blade and stuffing box, insert a new seat gasket Riv 9847 (item 4) on Riv 9848 (item 3) retaining ring and screw it in until it reaches the mechanical stop and tighten it firmly.



- n) Thoroughly clean the Riv 9818 blade (item 2) and check it for grooves, bumps or other damage. Lubricate it moderately and insert it into the gate valve body.
o) Insert the new set of Riv 9836 blade seals - the elastomer seal (item 7) must be positioned between the other two while the joints of the two seals (item 6) must be positioned on opposite sides.
p) Reassemble the gate valve, carrying out all the operations from "F" to "A" in reverse order.

 After any maintenance task, the gate valve must be tested as after the first installation before it is operational again.



Limitations of use

The products are designed for use in slurry tanker, sewage cleaning tanks and biogas plant applications. The fluids transported must be compatible with the metallic and non-metallic materials used in the gate valve. Any use with potentially clogging or aggressive fluids must be previously evaluated and approved by RIV Spa Quality Service or Technical Service.

Control units



Riv 149 Lever



Riv 162 Double-acting hydraulic jack Zinc-plated



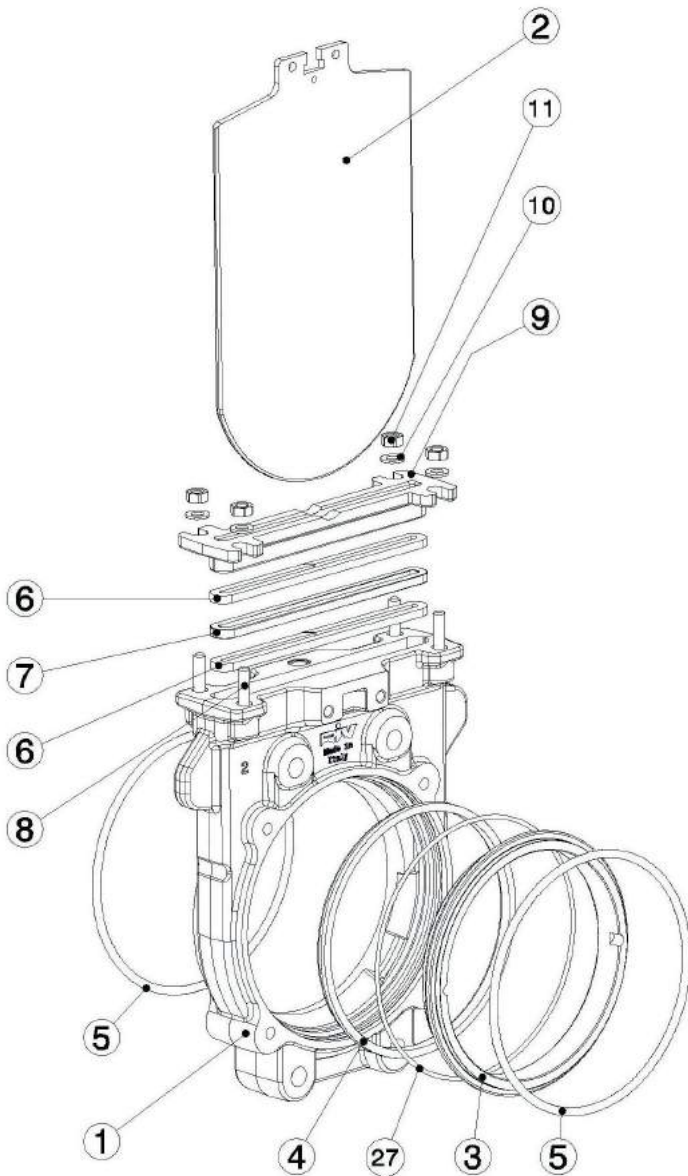
Riv 164 Double-acting pneumatic jack



Riv 165 Double-acting pneumatic jack with position sensors

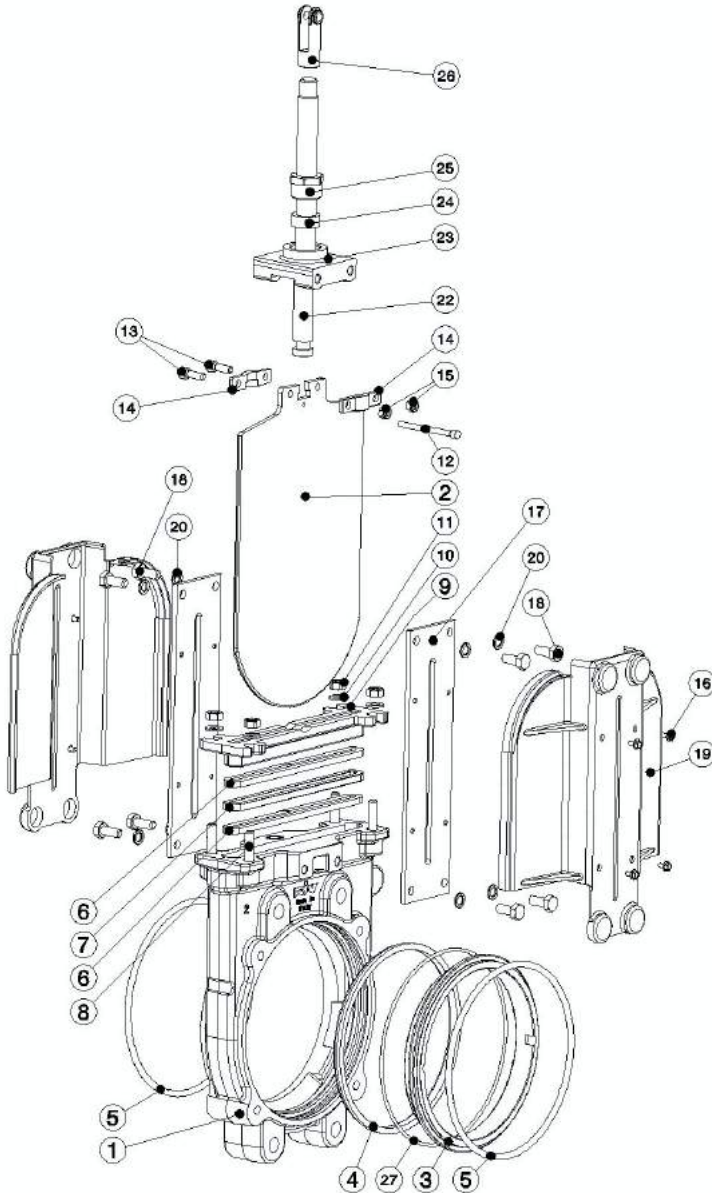
Components List

Riv 119



Item	Pos.	Size	Riv Code	Description	Material
	1	4"	CODFLGV91016	Corpo Body Gehäuse	Ghisa Cast iron Gusseisen
		5"	CODFLGV91018		
		6"	CODFLGV91019		
		8"	CODFLGV91020		
		10"	CODFLGV91021		
Riv 9818	2	4"	CNISLGG091016	Lama Blade Platte	Acciaio inox Stainless steel Nirostahl
		5"	CNISLGG091018		
		6"	CNISLGG091019		
		8"	CNISLGG091020		
		10"	CNISLGG091021		
Riv 9848	3	4"	AFGGGLZ91016	Anello fermasede Locking ring Sitzring	Ghisa Cast iron Gusseisen
		5"	AFGGGLZ91018		
		6"	AFGGGLZ91019		
		8"	AFGGGLZ91020		
		10"	AFGGGLZ91021		
Riv 9847	4	4"	GUSESLG00016	Guarnizione sede Seat gasket Sitzdichtung	HNBR
		5"	GUSESLG00018		
		6"	GUSESLG00019		
		8"	GUSESLG00020		
		10"	GUSESLG00021		
Riv 9859	5	4"	GUOR78058127	O-Ring flangia O-Ring for flange O-Ring für Flansch	NBR
		5"	GUOR78058126		
		6"	GUOR78058119		
		8"	GUOR78058118		
		10"	GUOR78058133		
Riv 9836	6	4"	GUBASLG00016	Baderna Gland packing Packung	Fibra Fibre Faser
		5"	GUBASLG00018		
		6"	GUBASLG00019		
		8"	GUBASLG00020		
		10"	GUBASLG00021		
	7	4"	GUOR78058128	Guarnizione Gasket Dichtung	NBR
		5"	GUOR78058129		
		6"	GUPBSLG00019		
		8"	GUPBSLG00020		
		10"	GUOR78058132		
8	4"-5"-6"-8"-10"	BUT1531KG004	Tirante Stud Bolzen	Acciaio inox Stainless steel Nirostahl	AISI 304
	9	4"	PRBAGHV81016	Premibaderna Gland packing box Packungsmutter	Ghisa Cast iron Gusseisen
		5"	PRBAGHV81018		
		6"	PRBAGHV81019		
		8"	PRBAGHV81020		
		10"	PRBAGHV81021		
	10	4"-5"-6"-8"	BURGRIN00008	Rondella Washer Beilagscheibe	Acciaio inox Stainless steel Nirostahl
		10"	BURGRIN00010		
11	4"-5"-6"-8"-10"	BUDN531A2004	Dado Nut Schraubenmutter	Acciaio inox Stainless steel Nirostahl	AISI 316
27		4"	GUOR78058152	O-Ring	NBR
		5"	GUOR78058153		
		6"	GUOR78058149		
		8"	GUOR78058150		

Riv 120, Riv 130



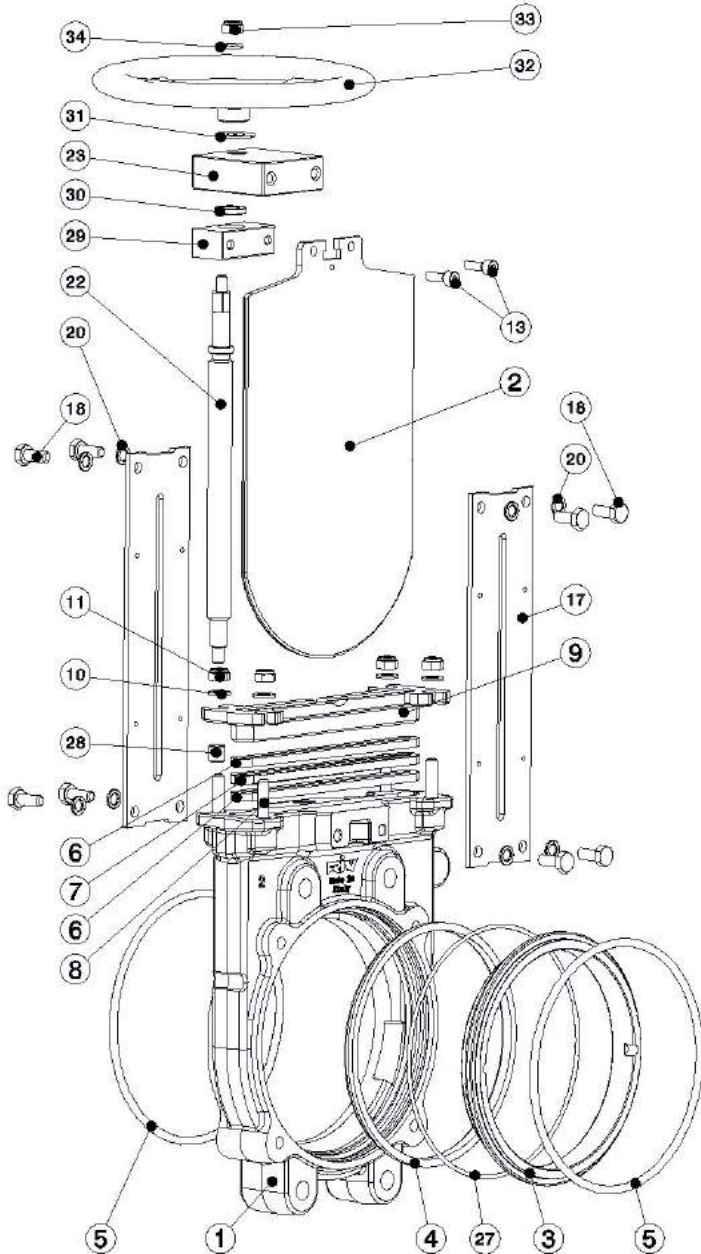
Item	Pos.	Size	Riv Code	Description	Material	
	1	4"	CODFLGV91016	Corpo Body Gehäuse	Ghisa Cast iron Gusseisen	
		5"	CODFLGV91018			
		6"	CODFLGV91019			
		8"	CODFLGV91020			
		10"	CODFLGV91021			
Riv 9818	2	4"	CNISLGD91016	Lama Blade Platte	Acciaio inox Stainless steel Nirostahl	
		5"	CNISLGD91018			
		6"	CNISLGD91019			
		8"	CNISLGD91020			
		10"	CNISLGD91021			
Riv 9848	3	4"	AFFGGLZ91016	Anello fermasede Locking ring Sitzring	Ghisa Cast iron Gusseisen	
		5"	AFFGGLZ91018			
		6"	AFFGGLZ91019			
		8"	AFFGGLZ91020			
		10"	AFFGGLZ91021			
Riv 9847	4	4"	GUESLGO0016	Guarnizione sede Seat gasket Sitzdichtung	HNBR	
		5"	GUESLGO0018			
		6"	GUESLGO0019			
		8"	GUESLGO0020			
		10"	GUESLGO0021			
Riv 9859	5	4"	GUOR7805B127	O-Ring flangia O-Ring for flange O-Ring für Flansch	NBR	
		5"	GUOR7805B126			
		6"	GUOR7805B119			
		8"	GUOR7805B118			
		10"	GUOR7805B133			
Riv 9836	6	4"	GUBASLG00016	Baderna Gland packing Packung	Fibra Fibre Faser	
		5"	GUBASLG00018			
		6"	GUBASLG00019			
		8"	GUBASLG00020			
		10"	GUBASLG00021			
	7	4"	GUOR7805B128	Guarnizione Gasket Dichtung	NBR	
		5"	GUOR7805B129			
		6"	GUPBSLG00019			
		8"	GUPBSLG00020			
		10"	GUOR7805B132			
8	4"-5"-6"-8"-10"	BUTIS31KG004	Tirante Stud Bolzen	Acciaio inox Stainless steel Nirostahl	AISI 304	
9		4"	PRBAGHV81016	PremiBaderna Gland packing box Packungsmutter	Ghisa Cast iron Gusseisen	
		5"	PRBAGHV81018			
		6"	PRBAGHV81019			
		8"	PRBAGHV81020			
		10"	PRBAGHV81021			
10	4"-5"-6"-8"	BURGRIN00008	Rondella Washer Beilagscheibe	Acciaio inox Stainless steel Nirostahl	AISI 304	
		BURGRIN00010				
11	4"-5"-6"-8"-10"	BUDN531A2004	Dado Nut Schraubenmutter	Acciaio inox Stainless steel Nirostahl	AISI 316	
		BUBRS31K0048	Indicatore Position indicator Stellungsanzeige	Acciaio Steel Stahl		
12	4"-5"-6"-8"	BUBRS31K0032				
		BUCE581K0032				
13	4"-5"-6"-8"	BUBRS31K0071	Vite Screw Schraube	Acciaio Steel Stahl	AISI 304	
		BUTE531K0006				
14	4"-5"-6"	ATCNLSLG71019	Attacco lama Blade connection Plattebefestigung	Ottone Brass Messing	CW617N	
		ATCNLSLG71020				
		ATCNLSLG91021				
15	4"-5"-6"-8"	BUAU316A4003	Dado Nut Schraubenmutter	Acciaio Steel Stahl	Zincato Zinc-plated Verzinkt	
		BUAU316A4005				
16	4"-5"-6"-8"-10"	BUTRS31A2002	Vite Screw Schraube	Acciaio inox Stainless steel Nirostahl	AISI 304	
17	4"	STFEVSLG0016	Staffa Clamp Bügel	Acciaio Steel Stahl	Zincato Zinc-plated Verzinkt	
		STFEVSLG0018				
		STFEVSLG0019				
		STFEVSLG0020				
		STFELSLG2021				
18	4"-5"-6"-8"	BUTE531K0004	Vite Screw Schraube	Acciaio inox Stainless steel Nirostahl	AISI 304	
		BUTE531K0005				
Riv 9846	19	4"	CASPSLG00016	Carter Casing Schützer	PP	
		5"	CASPSLG00018			
		6"	CASPSLG00019			
		8"	CASPSLG00020			
		10"	CASPSLG00021			
20	4"-5"-6"-8"	BURGRIN00008	Rondella Washer Beilagscheibe	Acciaio inox Stainless steel Nirostahl	AISI 304	
		BURGRIN00010				
Riv 9829	22	4"	STSS30040016	Asta Stem Hubstange	Ottone Brass Messing	
		5"	STSS30040018			
		6"	STSS30040019			
		8"	STSS30040020			
		10"	STSLG0040021			
23	4"-5"-6"	TESSLGV91019	Testata Cap Oberteil	Ghisa Cast iron Gusseisen	EN JGL250	
		TESSLGV91020				
		TESSLGV91021				
Riv 9840	24	4"-5"-6"	SPSS7E0HF000	Stoppa Tow packing Stopfbuchsichtung	Fibra Fibre Faser	
		8"	SPSS7E0HF002			
		10"	SPSS7E0HF002			
Riv 9844	25	4"-5"-6"	PSSS30171000	Premistoppa Stuffing-Box Stopfbuchsmutter	Ottone Brass Messing	
		8"	PSSS31191001			
		10"	PSSS31191001			
Riv 9854	26	4"-5"-6"-8"-10"	OMSS30171000	Forcella Fork Gabelkopf	Ottone Brass Messing	CW617N
27		4"	GUOR7805B152	O-Ring	NBR	
		5"	GUOR7805B153			
		6"	GUOR7805B149			
		8"	GUOR7805B150			



Rubinerterie Italiane Velatta SpA
since 1950

>> YOU need
the BEST

Riv 121, Riv 131



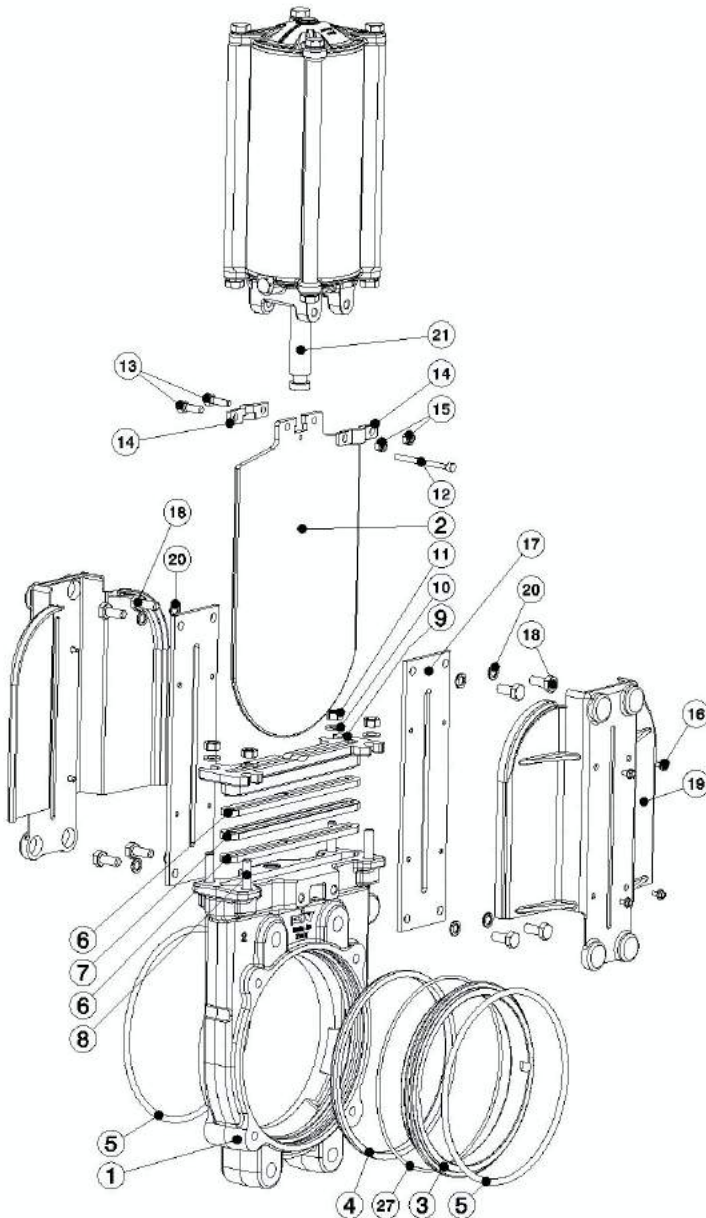
Item	Pos.	Size	Riv Code	Description	Material	
	1	4"	CODFLGV91016	Corpo Body Gehäuse	Ghisa Cast iron Gusseisen	EN JGL250
		5"	CODFLGV91018			
		6"	CODFLGV91019			
		8"	CODFLGV91020			
		10"	CODFLGV91021			
Riv 9818	2	4"	CNISLG091016	Lama Blade Platte	Acciaio inox Stainless steel Nirostahl	AISI 304
		5"	CNISLG091018			
		6"	CNISLG091019			
		8"	CNISLG091020			
		10"	CNISLG091021			
Riv 9848	3	4"	AFFGGLZ91016	Anello fermasede Locking ring Sitzring	Ghisa Cast iron Gusseisen	EN JGL415
		5"	AFFGGLZ91018			
		6"	AFFGGLZ91019			
		8"	AFFGGLZ91020			
		10"	AFFGGLZ91021			
Riv 9847	4	4"	GUSESLG00016	Guarnizione sede Seat gasket Sitzdichtung	HNBR	
		5"	GUSESLG00018			
		6"	GUSESLG00019			
		8"	GUSESLG00020			
		10"	GUSESLG00021			
Riv 9859	5	4"	GUOR7805B127	O-Ring flangia O-Ring for flange O-Ring für Flansch	NBR	
		5"	GUOR7805B126			
		6"	GUOR7805B119			
		8"	GUOR7805B118			
		10"	GUOR7805B133			
Riv 9836	6	4"	GUBASLG00016	Baderna Gland packing Packung	Fibra Fibre Faser	
		5"	GUBASLG00018			
		6"	GUBASLG00019			
		8"	GUBASLG00020			
		10"	GUBASLG00021			
7	7	4"	GUPBSLG00016	Guarnizione Gasket Dichtung	NBR	
		5"	GUPBSLG00018			
		6"	GUPBSLG00019			
		8"	GUPBSLG00020			
		10"	GUPBSLG00021			
8	4"-5"-6"-8"-10"	BUTI531K0004	Tirante Stud Bolzen	Acciaio inox Stainless steel Nirostahl	AISI 304	
9	9	4"	PRBAGHV81016	Premibaderna Gland packing box Packungsmutter	Ghisa Cast iron Gusseisen	EN JGL250
		5"	PRBAGHV81018			
		6"	PRBAGHV81019			
		8"	PRBAGHV81020			
		10"	PRBAGHV81021			
10	4"-5"-6"-8"-10"	BURPIN000010	Rondella Washer Beilagscheibe	Acciaio inox Stainless steel Nirostahl	AISI 304	
11	4"-5"-6"-8"-10"	BUDN531A2004	Dado Nut Schraubenmutter	Acciaio inox Stainless steel Nirostahl	AISI 316	
13	13	4"-5"-6"-8"	BUBR531K00071	Vite Screw Schraube	Acciaio Steel Stahl	AISI 304
		10"	BUTE531K0006			
17	17	4"	STFEVSLG0016	Staffa Clamp Bügel	Acciaio Steel Stahl	Zincato Zinc-plated Verzinkt
		5"	STFEVSLG0018			
		6"	STFEVSLG0019			
		8"	STFEVSLG0020			
		10"	STFEVSLG0021			
18	18	4"-5"-6"-8"	BUTE531K0004	Vite Screw Schraube	Acciaio inox Stainless steel Nirostahl	AISI 304
		10"	BUTE531K0005			
20	20	4"-5"-6"-8"	BURGRIN00008	Rondella Washer Beilagscheibe	Acciaio inox Stainless steel Nirostahl	AISI 304
		10"	BURGRIN00010			
Riv 9829	22	4"	STSLGVIND016	Asta Stem Hubstange	Acciaio inox Stainless steel Nirostahl	AISI 304
		5"	STSLGVIND018			
		6"	STSLGVIND019			
		8"	STSLGVIND020			
		10"	STSLGVIND021			
23	23	4"-5"-6"-8"	TESLGVAVV000	Testata Cap Oberteil	Acciaio Steel Stahl	Zincato Zinc-plated Verzinkt
		10"	TESLGVAVZ021			
27	27	4"	GUOR7805B152	O-Ring	NBR	
		5"	GUOR7805B153			
		6"	GUOR7805B149			
		8"	GUOR7805B150			
28	28	4"-5"-6"-8"-10"	BOSLGS40000	Boccola Bush Büchse	Ottone Brass Messing	CW614N
		4"-5"-6"-8"	ATCNLSLGLV000			
29	29	10"	ATCNLSLGLV021	Chiocciola Wedge connection Keilbefestigung	Ottone Brass Messing	CW614N
		4"-5"-6"-8"	BOSLGS40000			
30	30	10"	BOSLGS40021	Rondella Washer Beilagscheibe	Ottone Brass Messing	CW614N
		4"-5"-6"-8"	ROSVSLG40000			
31	31	10"	ROSVSLG40021	Rondella Washer Beilagscheibe	Acciaio Steel Stahl	Zincato Zinc-plated Verzinkt
		4"-5"	OMVOSLGO0001			
32	32	6"-8"	OMVOSLGO0000	Volantino handwheel Handrad	Acciaio Steel Stahl	
		10"	OMVOSLGO0021			
		4"-5"-6"-8"	BUAU316A4004			
33	33	10"	BUAU316A4005	dado Nut Schraubenmutter	Acciaio inox Stainless steel Nirostahl	AISI 316
		4"-5"-6"-8"	BURPIN000010			
34	34	10"	BURPIN000012	Rondella Washer Beilagscheibe	Acciaio inox Stainless steel Nirostahl	AISI 316



Rubinerie Italiane Velatta SpA
since 1950

>> YOU need
the BEST

Riv 122 / 123, Riv 132 / 133



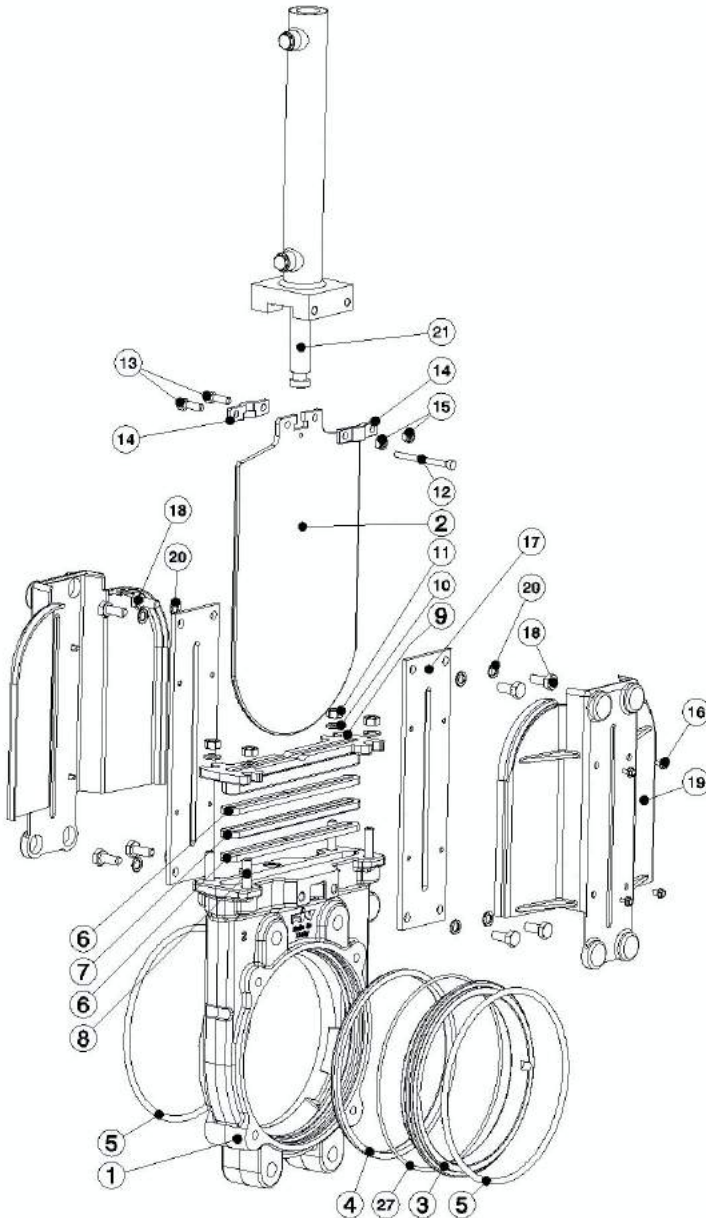
Item	Pos.	Size	Riv Code	Description	Material	
	1	4"	CODFLGV91016	Corpo Body Gehäuse	Ghisa Cast iron Gusseisen	EN JGL250
		5"	CODFLGV91018			
		6"	CODFLGV91019			
		8"	CODFLGV91020			
		10"	CODFLGV91021			
Riv 9818	2	4"	CNISLG091016	Lama Blade Platte	Acciaio inox Stainless steel Nirostahl	AISI 304
		5"	CNISLG091018			
		6"	CNISLG091019			
		8"	CNISLG091020			
		10"	CNISLG091021			
Riv 9848	3	4"	AFFGGLZ91016	Anello fermasede Locking ring Sitzring	Ghisa Cast iron Gusseisen	EN JGL415
		5"	AFFGGLZ91018			
		6"	AFFGGLZ91019			
		8"	AFFGGLZ91020			
		10"	AFFGGLZ91021			
Riv 9847	4	4"	GUSESLG00016	Guarnizione sede Seat gasket Sitzdichtung	HNBR	
		5"	GUSESLG00018			
		6"	GUSESLG00019			
		8"	GUSESLG00020			
		10"	GUSESLG00021			
Riv 9859	5	4"	GUOR78058127	O-Ring flangia O-Ring for flange O-Ring für Flansch	NBR	
		5"	GUOR78058126			
		6"	GUOR78058119			
		8"	GUOR78058118			
		10"	GUOR78058133			
Riv 9836	6	4"	GUBASLG00016	Baderna Gland packing Packung	Fibra Fibre Faser	
		5"	GUBASLG00018			
		6"	GUBASLG00019			
		8"	GUBASLG00020			
		10"	GUBASLG00021			
	7	4"	GUOR78058128	Guarnizione Gasket Dichtung	NBR	
		5"	GUOR78058129			
		6"	GUPBSLG00019			
		8"	GUPBSLG00020			
		10"	GUOR78058132			
8	4"-5"-6"-8"-10"	BUT1531KG004	Tirante Stud Bolzen	Acciaio inox Stainless steel Nirostahl	AISI 304	
9		4"	PRBAGHV81016	Prembaderna Gland packing box Packungsmutter	Ghisa Cast iron Gusseisen	EN JGL250
		5"	PRBAGHV81018			
		6"	PRBAGHV81019			
		8"	PRBAGHV81020			
		10"	PRBAGHV81021			
10		4"-5"-6"-8"	BURGRIN00008	Rondella Washer Beilagscheibe	Acciaio inox Stainless steel Nirostahl	AISI 304
		10"	BURGRIN00010			
11	4"-5"-6"-8"-10"	BUDN531A2004	Dado Nut Schraubenmutter	Acciaio inox Stainless steel Nirostahl	AISI 316	
12		4"-5"-6"-8"	BUBR531K0048	Indicatore Position indicator Stellungsanzeige	Acciaio Steel Stahl	
		10"	BUCE581K0032			
13		4"-5"-6"-8"	BUBR531K0071	Vite Screw Schraube	Acciaio Steel Stahl	AISI 304
		10"	BUTE531K0006			
14		4"-5"-6"	ATCNLSLG71019	Attacco lama Blade connection Plattebefestigung	Ottone Brass Messing	CW617N
		8"	ATCNLSLG71020			
		10"	ATCNLSLG91021			
15		4"-5"-6"-8"	BUAU316A4003	Dado Nut Schraubenmutter	Acciaio Steel Stahl	Zincato Zinc-plated Verzinkt
		10"	BUAU316A4005			
16		4"-5"-6"-8"-10"	BUTR531A2002	Vite Screw Schraube	Acciaio inox Stainless steel Nirostahl	AISI 304
		4"	STFEVSLG0016	Staffa Clamp Bügel	Acciaio Steel Stahl	Zincato Zinc-plated Verzinkt
5"	STFEVSLG0018					
6"	STFEVSLG0019					
8"	STFEVSLG0020					
10"	STFELSLGZ021					
18		4"-5"-6"-8"	BUTE531K0004	Vite Screw Schraube	Acciaio inox Stainless steel Nirostahl	AISI 304
		10"	BUTE531K0005			
Riv 9846	19	4"	CASPSLG00016	Carter Casing Schützer	PP	
		5"	CASPSLG00018			
		6"	CASPSLG00019			
		8"	CASPSLG00020			
		10"	CASLSLGV0021			
20		4"-5"-6"-8"	BURGRIN00008	Rondella Washer Beilagscheibe	Acciaio inox Stainless steel Nirostahl	AISI 304
		10"	BURGRIN00010			
Riv 164	21	4"	50164000016	Cilindro pneumatico Pneumatic jack Pneumatischer Zylinder	Doppio effetto Double-acting Doppelwirkender	
		5"	50164000018			
		6"	50164000019			
		8"	50164000020			
		10"	50164000021			
27		4"	GUOR78058152	O-Ring	NBR	
		5"	GUOR78058153			
		6"	GUOR78058149			
		8"	GUOR78058150			



Rubinerie Italiane Velatta SpA
since 1950

>> YOU need
the BEST

Riv 124, Riv 134



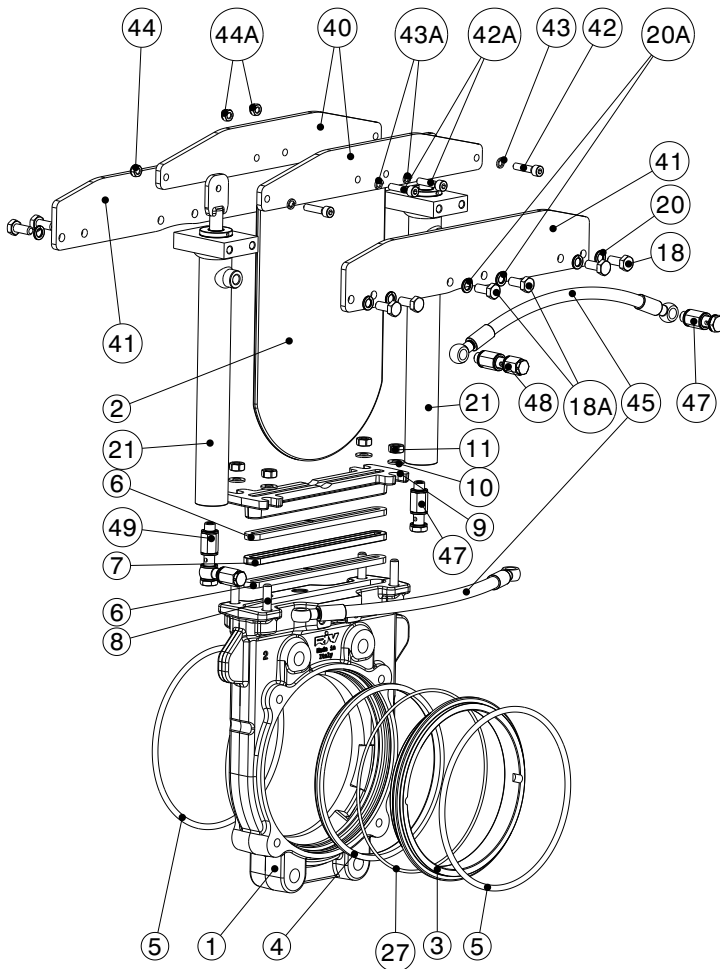
Item	Pos.	Size	Riv Code	Description	Material	
	1	4"	CODFLGV91016	Corpo Body Gehäuse	Ghisa Cast iron Gusseisen	EN JGL250
		5"	CODFLGV91018			
		6"	CODFLGV91019			
		8"	CODFLGV91020			
		10"	CODFLGV91021			
Riv 9818	2	4"	CNISLG091016	Lama Blade Platte	Acciaio inox Stainless steel Nirostahl	AISI 304
		5"	CNISLG091018			
		6"	CNISLG091019			
		8"	CNISLG091020			
		10"	CNISLG091021			
Riv 9848	3	4"	AFFGGLZ91016	Anello fermasede Locking ring Sitzring	Ghisa Cast iron Gusseisen	EN JGL415
		5"	AFFGGLZ91018			
		6"	AFFGGLZ91019			
		8"	AFFGGLZ91020			
		10"	AFFGGLZ91021			
Riv 9847	4	4"	GUESLGG00016	Guarnizione sede Seat gasket Sitzdichtung	HNBR	
		5"	GUESLGG00018			
		6"	GUESLGG00019			
		8"	GUESLGG00020			
		10"	GUESLGG00021			
Riv 9859	5	4"	GUOR7805B127	O-Ring flangia O-Ring for flange O-Ring für Flansch	NBR	
		5"	GUOR7805B126			
		6"	GUOR7805B119			
		8"	GUOR7805B118			
		10"	GUOR7805B133			
Riv 9836	6	4"	GUBASLG00016	Baderna Gland packing Packung	Fibra Fibre Faser	
		5"	GUBASLG00018			
		6"	GUBASLG00019			
		8"	GUBASLG00020			
		10"	GUBASLG00021			
	7	4"	GUOR7805B128	Guarnizione Gasket Dichtung	NBR	
		5"	GUOR7805B129			
		6"	GUPBSLG00019			
		8"	GUPBSLG00020			
		10"	GUOR7805B132			
8		4"-5"-6"-8"-10"	BUTI531KG004	Tirante Stud Bolzen	Acciaio inox Stainless steel Nirostahl	AISI 304
9		4"	PRBAGHV81016	Premibaderna Gland packing box Packungsmutter	Ghisa Cast iron Gusseisen	EN JGL250
		5"	PRBAGHV81018			
		6"	PRBAGHV81019			
		8"	PRBAGHV81020			
		10"	PRBAGHV81021			
10		4"-5"-6"-8"	BURGRIN00008	Rondella Washer	Acciaio inox Stainless steel	AISI 304
		10"	BURGRIN00010			
11		4"-5"-6"-8"-10"	BUDN531A2004	Dado Nut Schraubenmutter	Acciaio inox Stainless steel Nirostahl	AISI 316
12		4"-5"-6"-8"	BUBR531K0048	Indicatore Position indicator Stellungsanzeige	Acciaio Steel Stahl	
		10"	BUCE581K0032			
13		4"-5"-6"-8"	BUBR531K0071	Vite Screw Schraube	Acciaio Steel Stahl	AISI 304
		10"	BUTE531K0006			
14		4"-5"-6"	ATCNLSG71019	Attacco lama Blade connection Plattebefestigung	Ottone Brass Messing	CW617N
		8"	ATCNLSG71020			
		10"	ATCNLSG91021			
15		4"-5"-6"-8"	BUAU316A4003	Dado Nut Schraubenmutter	Acciaio Steel Stahl	Zincato Zinc-plated Verzinkt
		10"	BUAU316A4005			
16		4"-5"-6"-8"-10"	BUTR531A2002	Vite Screw Schraube	Acciaio inox Stainless steel Nirostahl	AISI 304
17		4"	STFEVSLG0016	Staffa Clamp Bügel	Acciaio Steel Stahl	Zincato Zinc-plated Verzinkt
		5"	STFEVSLG0018			
		6"	STFEVSLG0019			
		8"	STFEVSLG0020			
		10"	STFELSGLZ021			
18		4"-5"-6"-8"	BUTE531K0004	Vite Screw Schraube	Acciaio inox Stainless steel Nirostahl	AISI 304
		10"	BUTE531K0005			
Riv 9846		4"	CASPSLG00016	Carter Casing Schützer	PP	
		5"	CASPSLG00018			
		6"	CASPSLG00019			
		8"	CASPSLG00020			
		10"	CASLSLGV0021			
20		4"-5"-6"-8"	BURGRIN00008	Rondella Washer Beilagsscheibe	Acciaio inox Stainless steel Nirostahl	AISI 304
		10"	BURGRIN00010			
Riv 162	21	4"	50162000016	Cilindro idraulico Hydraulic jack hydraulischer Zylinder	Doppio effetto Double-acting Doppelwirkender	
		5"	50162000018			
		6"	50162000019			
		8"	50162000020			
		10"	50162000021			
27		4"	GUOR7805B152	O-Ring	NBR	
		5"	GUOR7805B153			
		6"	GUOR7805B149			
		8"	GUOR7805B150			



Rubinerterie Italiane Velatta SpA
since 1950

>> YOU need
the BEST

Riv 125, Riv 135



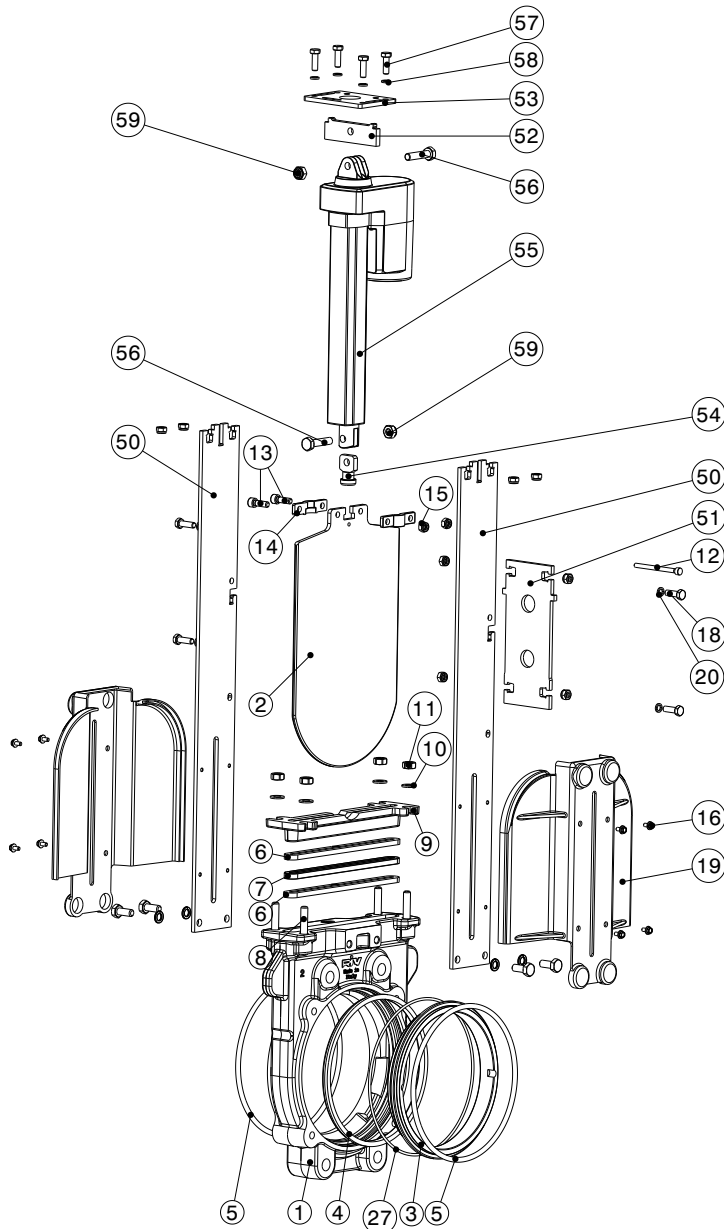
Item	Pos.	Size	Riv Code	Description	Material	
1	8"	CODFLGV91020	Corpo Body	Ghisa Cast iron	EN JGL250	
	10"	CODFLGV91021	Gehäuse	Gusseisen		
Riv 9818	2	8"	CNISLG091020	Lama Blade	Acciaio inox Stainless steel	AISI 304
	10"	CNISLG091021	Platte	Nirostahl		
Riv 9848	3	8"	AFFGGLZ91020	Anello fermasede Locking ring	Ghisa Cast iron	EN JGL415
	10"	AFFGGLZ91021	Sitzring	Gusseisen		
Riv 9847	4	8"	GUSESLG00020	Guarnizione sede Seat gasket	HNBR	
	10"	GUSESLG00021	Sitzdichtung			
Riv 9859	5	8"	GUOR7805B118	O-Ring flangia O-Ring for flange	NBR	
	10"	GUOR7805B133	O-Ring für Flansch			
Riv 9836	6	8"	GUBASLG00020	Baderna Gland packing	Fibra Fibre	Faser
	10"	GUBASLG00021	Packung			
7	8"	GUPBSLG00020	Guarnizione Gasket	NBR		
8	8"	BUT1531KG004	Tirante Stud	Acciaio inox Stainless steel	AISI 304	
	10"		Bolzen	Nirostahl		
9	8"	PRBAGHV81020	Prembaderna Gland packing box	Ghisa Cast iron	EN JGL250	
	10"	PRBAGHV81021	Packungsmutter	Gusseisen		
10	8"	BURGRIN00008	Rondella Washer	Acciaio inox Stainless steel	AISI 304	
	10"	BURGRIN00010	Beilagscheibe	Nirostahl		
11	8"	BUDN531A2004	Dado Nut	Acciaio inox Stainless steel	AISI 316	
	10"		Schraubenmutter	Nirostahl		
16	8"	BUTR531A2002	Vite Screw	Acciaio inox Stainless steel	AISI 304	
	10"		Schraube	Nirostahl		
18	8"	BUTE531K0004	Vite Screw	Acciaio inox Stainless steel	AISI 304	
	10"	BUTE531K0004	Schraube	Nirostahl		
18A	8"	BUTE531K0004	Vite Screw	Acciaio inox Stainless steel	AISI 304	
	10"	BUTE531K0005	Schraube	Nirostahl		
20	8"	BURGRIN00008	Rondella Washer	Acciaio inox Stainless steel	AISI 304	
	10"	BURGRIN00008	Beilagscheibe	Nirostahl		
20A	8"	BURGRIN00008	Rondella Washer	Acciaio inox Stainless steel	AISI 304	
	10"	BURGRIN00010	Beilagscheibe	Nirostahl		
21	8"	F50168000020	Cilindro idraulico Hydraulic jack	Doppio effetto Double-acting		
	10"	F50168000021	hydraulischer Zylinder	Doppelwirkender		
27	8"	GUOR7805B150	O-Ring	NBR		
40	8"	PILADAZ00020	Attacco lama Blade connection	Acciaio Steel	Zincato Zinc-plated	
	10"	PILADAZ00021	Plattebefestigung	Stahl		Verzinkt
41	8"	PIATDAZ00020	Staffa Clamp	Acciaio Steel	Zincato Zinc-plated	
	10"	PIATDAZ00021	Bügel	Stahl		Verzinkt
42	8"	BUBRS31K0074	Vite Screw	Acciaio Steel	AISI 304	
	10"	BUBRS31K0094	Schraube	Stahl		
42A	8"	BUBRS31K0074	Vite Screw	Acciaio Steel	AISI 304	
	10"	BUTE531K0006	Schraube	Stahl		
43	8"	BURGRIN00006	Rondella Washer	Acciaio inox Stainless steel	AISI 304	
	10"	BURGRIN00008	Beilagscheibe	Nirostahl		
43A	8"	BURGRIN00006	Rondella Washer	Acciaio inox Stainless steel	AISI 304	
	10"	BURGRIN00010	Beilagscheibe	Nirostahl		
44	8"	BUAU316A4003	Dado Nut	Acciaio inox Stainless steel	AISI 316	
	10"	BUAU316A4004	Schraubenmutter	Nirostahl		
44A	8"	BUAU316A4003	Dado Nut	Acciaio inox Stainless steel	AISI 316	
	10"	BUAU316A4005	Schraubenmutter	Nirostahl		
45	8"	TUFLDA000020	Tubo alta pressione High-pressure hose			
	10"	TUFLDA000021	Hochdruckschlauch			
47	8"		Raccordo idraulico Hydraulic fitting			
	10"		Hydraulikverschraubung			
48	8"		Raccordo idraulico Hydraulic fitting			
	10"		Hydraulikverschraubung			
49	8"		Raccordo idraulico Hydraulic fitting			
	10"		Hydraulikverschraubung			



Rubinerterie Italiane Velatta SpA
since 1950

>> YOU need
the BEST

Riv 126, Riv 136



Item	Pos.	Size	Riv Code	Description	Material
	1	4"	CODFLGV91016	Corpo	Ghisa
		6"	CODFLGV91019	Body	Cast iron
		8"	CODFLGV91020	Gehäuse	Gusseisen
Riv 9818	2	4"	CNISLG091016	Lama	Acciaio inox
		6"	CNISLG091019	Blade	Stainless steel
		8"	CNISLG091020	Platte	Nirostahl
Riv 9848	3	4"	AFGGGLZ91016	Anello fermasede	Ghisa
		6"	AFGGGLZ91019	Locking ring	Cast iron
		8"	AFGGGLZ91020	Sitzring	Gusseisen
Riv 9847	4	4"	GUSESLG00016	Guarnizione sede	Ghisa
		6"	GUSESLG00019	Seat gasket	Cast iron
		8"	GUSESLG00020	Sitzdichtung	Gusseisen
Riv 9859	5	4"	GUOR78058127	O-Ring flangia	Ghisa
		6"	GUOR78058119	O-Ring for flange	Cast iron
		8"	GUOR78058118	O-Ring für Flansch	Gusseisen
Riv 9836	6	4"	GUBASLG00016	Baderna	Fibra
		6"	GUBASLG00019	Gland packing	Fibre
		8"	GUBASLG00020	Packing	Faser
	7	4"	GUOR78058128	Guarnizione	Ghisa
		6"	GUPBSLG00019	Gasket	Cast iron
		8"	GUPBSLG00020	Dichtung	Gusseisen
	8	4"-6"-8"	BUTI531KG004	Tirante Stud Bolzen	Acciaio inox
					Stainless steel
					Nirostahl
	9	4"	PRBAGHV81016	Premibaderna	Ghisa
		6"	PRBAGHV81019	Gland packing box	Cast iron
		8"	PRBAGHV81020	Packungsmutter	Gusseisen
	10	4"-6"-8"	BURGRIN00008	Rondella Washer Beilagscheibe	Acciaio inox
					Stainless steel
					Nirostahl
	11	4"-6"-8"	BUDN531A2004	Dado Nut Schraubenmutter	Acciaio inox
					Stainless steel
					Nirostahl
	12	4"-6"-8"	BUBR531K0048	Indicatore Position indicator Stellungsanzeige	Acciaio
					Steel
					Stahl
	13	4"-6"-8"	BUBR531K0071	Vite Screw Schraube	Acciaio
					Steel
					Stahl
	14	4"-6"	ATCNLSG71019	Attacco lama Blade connection	Ottone
		8"	ATCNLSG71020	Plattebefestigung	Brass
	15	4"-6"-8"	BUAU316A4003	Dado Nut Schraubenmutter	Acciaio
					Steel
					Zincato Verzinkt
	16	4"-6"-8"	BUTR531A2002	Vite Screw Schraube	Acciaio inox
					Stainless steel
					Nirostahl
	18	4"-6"-8"	BUTE531K0004	Vite Screw Schraube	Acciaio inox
					Stainless steel
					Nirostahl
Riv 9846	19	4"	CASPSLG00016	Carter	PP
		6"	CASPSLG00019	Casing	
		8"	CASPSLG00020	Schützer	
	20	4"-6"-8"	BURGRIN00008	Rondella Washer Beilagscheibe	Acciaio inox
					Stainless steel
					Nirostahl
	27	4"	GUOR78058152	O-Ring	NBR
		6"	GUOR78058149		
		8"	GUOR78058150		
50		4"	PILAAATEZ0016	Staffa Clamp Bügel	Acciaio
		6"	PILAAATEZ0019		Steel
		8"	PILAAATEZ0020		Stahl
51		4"	PIRIATEZ0016	Staffa Clamp Bügel	Acciaio
		6"	PIRIATEZ0019		Steel
		8"	PIRIATEZ0020		Stahl
52		4"	PISUATEZ0000	Staffa Clamp Bügel	Acciaio
		6"	PISUATEZ0000		Steel
		8"	PISUATEZ0000		Stahl
53		4"	PIISATEZ0000	Staffa Clamp Bügel	Acciaio
		6"	PIISATEZ0000		Steel
		8"	PIISATEZ0000		Stahl
54		4"	ADFIATEZ0000	Adattatore Adapter	Acciaio
		6"	ADFIATEZ0000		Steel
		8"	ADFIATEZ0020		Stahl
55		4"	ATELGL000016	Attuatore Actuator	
		6"	ATELGL000019		
		8"	ATELGL000020		
56		4"	BUTE561KG093	Vite Screw Schraube	Acciaio
		6"	BUTE561KG093		Steel
		8"	BUTE561KG093		Stahl
57		4"	BUTE561KG067	Vite Screw Schraube	Acciaio
		6"	BUTE561KG067		Steel
		8"	BUTE561KG067		Stahl
58		4"	BURGRIN00006	Rondella Washer Beilagscheibe	Acciaio inox
		6"	BURGRIN00006		Stainless steel
		8"	BURGRIN00006		Nirostahl
59		4"	BUAU571KG004	Dado Nut Schraubenmutter	Acciaio
		6"	BUAU571KG004		Steel
		8"	BUAU571KG004		Stahl



Special prescriptions

>> ATEX valve maintenance


ATEX valves need to be checked more frequently than normally installed valves. It is recommended to check the condition of the gate valve at least once a month and to keep it clean, as it is necessary to avoid the dust build-up on the surfaces. Any dust that may be present should not be removed mechanically but vacuumed with suitable ATEX certified equipment. Check the absence of oxidation or other problems that could jeopardise the correct and safe operation of the gate valve.

The maintenance of ATEX valves must be carried out only by specialised personnel properly trained to work in areas with possible presence of explosive atmosphere.

It is anyway advisable, if possible, to uninstall the valve for the performance of maintenance operations in a safe area. After each maintenance operation, the valve must be tested as it was after the first installation, before it is put back into service.

After each maintenance operation, before putting the valve back into operation, it is necessary to check the electrical continuity with the pipeline by carrying out a test according to UNI EN 12266-2 Annex B points B.2.2 and B.2.3.1.

Disposal

 At the end of the gate valve service life, it is recommended to dispose of it at specialised material recycling facilities, scrupulously complying with the law in force in the country of installation.

Any operating fluid or oils contained in the valve must be disposed of in compliance with any provisions of law.

The same disposal policy applies to all parts replaced during the usual maintenance cycle of the valve.

✓ RIV SpA is not responsible for the improper disposal of materials and fluids by the user, installer or maintainer.