



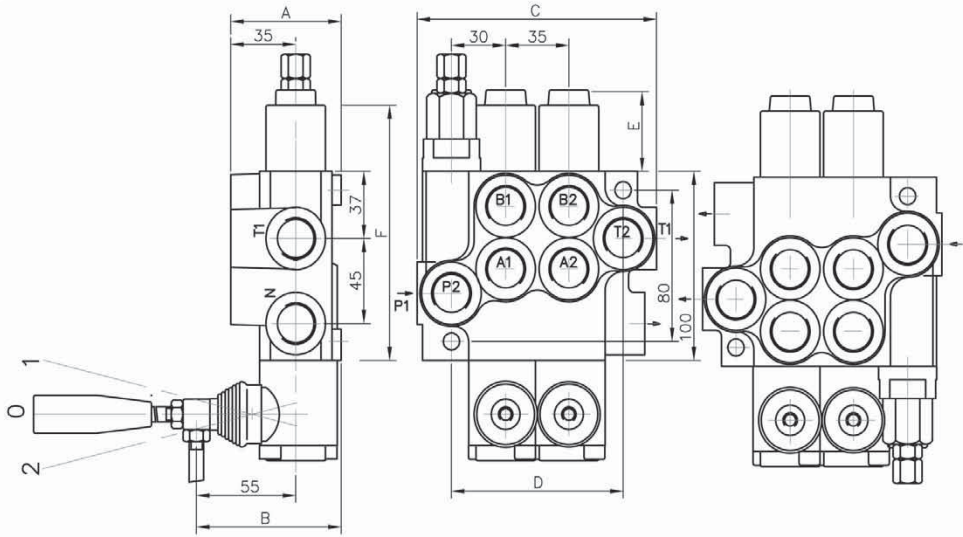
**Technical parameters:**

Ambient temperature	-40C...+60C
Hydraulic liquid -mineral oil based/hydraulic oil Viscosity	12 ...800 mm <sup>2</sup> /s
Fluid temperature	-15C...+80C
Filtration	10 to NAS 1638
Max operating pressure, P=250; T=50 bar	A , B = 300 bar
Leakage(A,B-T)	15cm <sup>3</sup> /min at 120bar
Nominal flow	40 l/min
Spool stroke	6 mm
Actuating force	< 200 N
Modification/ Spools	with 1 to 7

**DESCRIPTION:** Manually or mechanically controlled hydraulic directional control valve P40 is designed for distribution and control of work flow between generator (pump) and executive mechanisms (cylinder, hydro-motor, etc.). It is manufactured with 1 to 7 plungers, with parallel or serial action, with common or individual back valve for each plunger, with or without safety valve

**CONSTRUCTION:** P40 is a mono-block distributor. Its body is made of cast iron EN-GJL300. Plungers are made of carburized steel with hard chrome plating.

**MOUNTING:** The distributor is fixed with two bolts M8



ORDERING CODES

0 2 P40 R 1 A 1 A 1 G KZ1 T H E C2 11

block with common check valve Table 3  
 number of spools  
 directional control valve type...  
 inlet high pressure - right  
 way of distribution / parallel or.../ Table 4  
 first spool distribution type Table 5  
 spool control / dedant and etc./ Table 6  
 second spool distribution type  
 spool control / dedant and etc./  
 ports / treads / Table 9  
 general operation feature Table 10  
 with "teton"  
 operation feature / pneumatic,.../ Table 8  
 with electric switch Table 7  
 high pressure carry over Table 11  
 connection ports in use Table 12

	A	B	C	D	P1	P2	T1	T2
P40	60	80	85	60	+	-	+	-
02P40	60	80	129	97	+	+	+	+
03P40	60	80	164	132	+	+	+	+
04P40	60	80	199	167	+	+	+	+
05P40	60	80	234	202	+	+	+	+
06P40	60	80	269	237	+	+	+	+
07P40	60	80	304	272	+	+	+	+
02P40	60	80	129	97	+	+	+	+
03P40	60	80	164	132	+	+	+	+
04P40	60	80	199	167	+	+	+	+

spool control		E	F
1; 4; 5; 6; 7; 8; 9; 10; 11;		40	193
2; 3;		72	225
16		+	+

code	number of spools
	1
02, 2	2
03, 3	3

code	way of distribution /
1	parallel
2	tandem (parallel series)

Table 5

code	spool type
A	
B	
C	
D	
E	
F	
G	
H	
M	
N	
O	
P	
Q	
R	
S	
T	
* K	
** L	

Table 6

code	spool control
1	
2	
3	
4	
5	
6	
7	
8	
9	
10	
11	
* 13	
* 16	
** 13R	
** 12	

code	Incorporated microswitch	
E		microswitch type omron-V 165 I C 5

code	operation feature	
P		on-off pneumatic control; 5-10 bar; ports G1/4
H		on-off hydraulic control; pn = 5-20 bar; ports G1/4

code	ports (treads)			
	P	A ; B	T	N
M	M22x1.5	M18x1.5	M22x1.5	M22x1.5
G	G1/2	G3/8	G1/2	G1/2
S	7/8-14UNF	3/4-16UNF	7/8-14UNF	7/8-14UNF

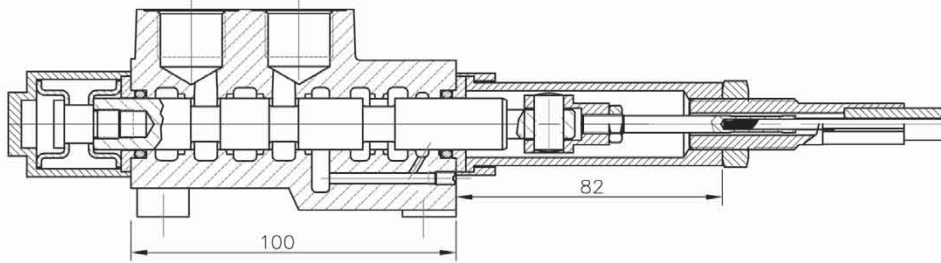
Table 10

code	feature	code	feature	code	feature
KZ		KY		KI	
KZ1		KY1		KI1	
KZ0		KY0		KI0	
KZ01		KY01		KI01	
-	without hand control				

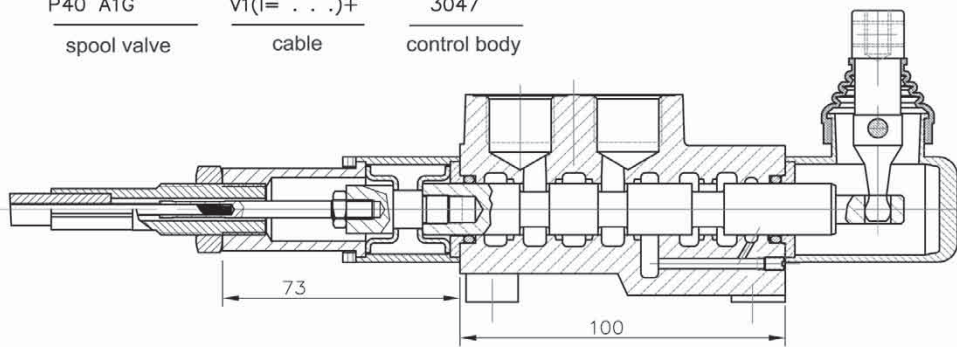
code	closed center	
C	closed center	
C1	part for power beyond sleeve (carry over)	M22x1.5
C2	part for power beyond sleeve (carry over)	Ø14 mm M22x1.5
-	without part for pressure carry over	G 1/2
X	power beyond ever to tank	

code	used connection ports
11	P1 ; T1
12	P1 ; T2
21	P2 ; T1
22	P2 ; T2

REMOTE CONTROLS

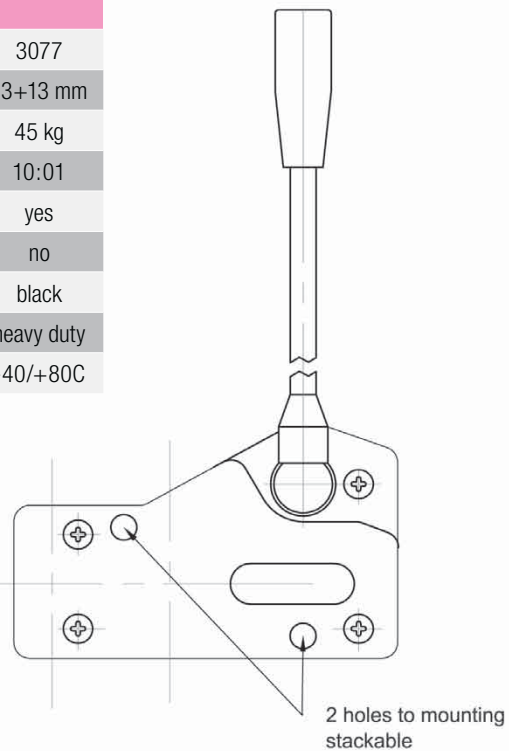


P40 A1G spool valve    V1(I= . . .)+ cable    3047 control body



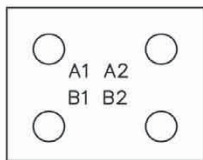
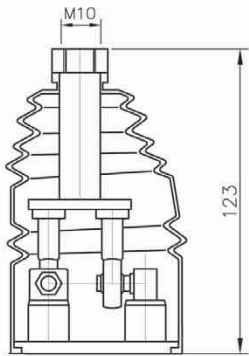
P40 A1G spool valve    V2KZ1(I= . . .)+ cable    3047 control body

technical specifications			
	3047	3076	3077
stroke	13+13 mm	13+13 mm	13+13 mm
max. load	45 kg	45 kg	45 kg
level ratio	10:01	10:01	10:01
lock in neutral	no	no	yes
antireverse lock	no	yes	no
body color	black	black	black
cables type	heavy duty	heavy duty	heavy duty
operating temperature	-40/+80C	-40/+80C	-40/+80C

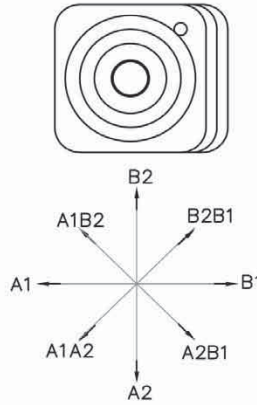


High solidity controls for easy mounting on every type of distributor. They can be mounted stand alone or packed together. They use push-pull heavy duty cables that provide a positive smooth operating lever and are manufactured in three different models to meet different needs of Clients.

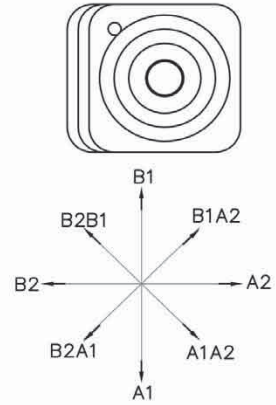
JOYSTICK "++"  
 This control gives the possibility to operate, at the same time two spool with a "++" movement



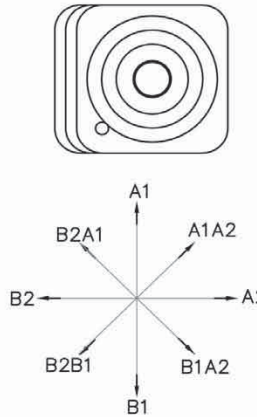
standart versiyon 1



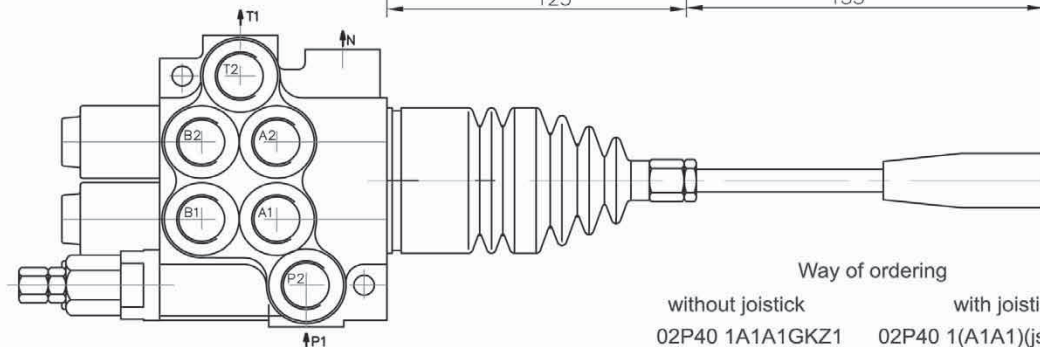
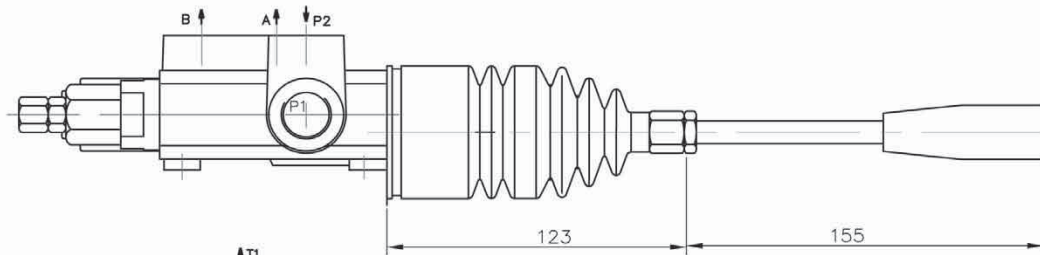
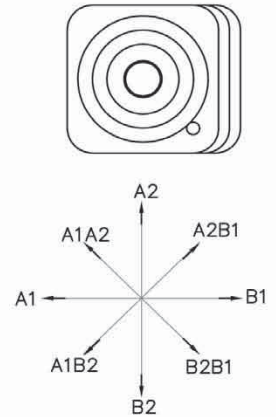
standart versiyon 2



standart versiyon 3



standart versiyon 4



Way of ordering

- without joystick      02P40 1A1A1GKZ1
- with joystick          02P40 1(A1A1)(js+3)G