



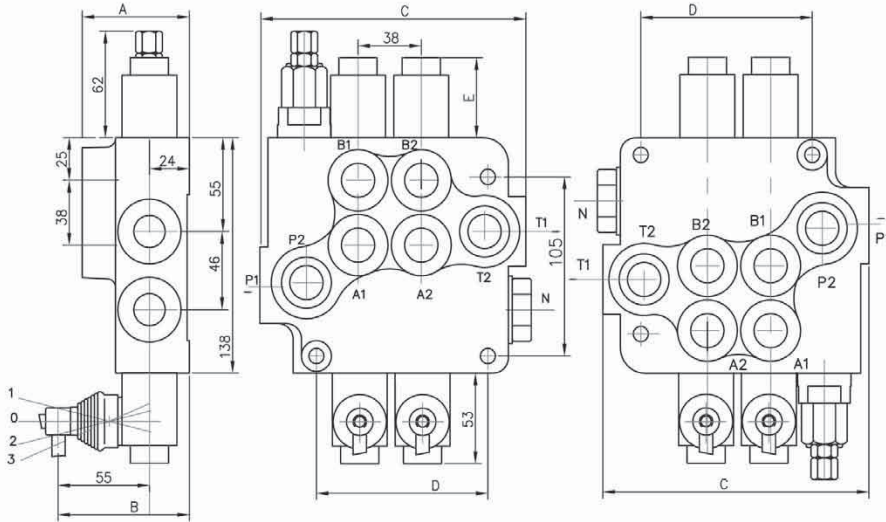
Technical parameters:

Ambient temperature	-40C...+60C
Hydraulic liquid -mineral oil based/hydraulic oil Viscosity	12 ...800 mm ² /s
Fluid temperature	-15C...+80C
Filtration	10 to NAS 1638
Max operating pressure, P=250; T=50 bar	A , B = 300 bar
Leakage(A,B-T)	18cm ³ /min at 120bar
Nominal flow	80 l/min
Spool stroke	+/- 7 mm
Actuating force	< 220 N
Modification / Spools	with 1 to 6

DESCRIPTION: The hydraulic distributor P80 is used for switching on/off and directing the working fluid between head flow generators (hydraulic pumps), head flow consumers (hydraulic cylinders, motors, etc.), and the tank. It is manufactured with up to 6 plungers with parallel or serial distribution

CONSTRUCTION: The hydraulic distributor P80 is a mono-block distributor with manual control. The body is made of cast iron EN-GJL300, and the spools are made of carburized steel with hard chrome plating

MOUNTING: The distributor is fixed with 3 (three) bolts M8.



ORDERING CODES

- 0 — block with common check valve
- 2 — number of spools
- P80 — directional control valve type ...
- R — inlet high pressure - right
- 1 — way of distribution / paralel or .../
- A — first spool distribution type
- 1 — spool control / detend and etc./
- A — second spool distribution type
- 1 — spool control / detend and etc./
- G — ports / treads /
- KZ1 — general operation feature
- T — with "teton"
- H — operation feature .../
- E — with electric switch
- C2 — high pressure carry over
- 11 — connection ports in use

	A	B	C	D	P1	P2	T1	T2
P80	65	79	107	65	*	*	-	-
2P80	60	94	160	103	*	*	*	*
3P80	60	94	198	141	*	*	*	*
4P80	60	94	242	179	*	*	*	*
5P80	60	94	280	217	*	*	*	*
6P80	60	94	318	255	*	*	*	*

code	number of spools
	1
2	2
3	3
4	4
5	5
6	6

spool control	E
1, 4, 5, 6, 7, 8, 10, 11	40
2, 3, 12 14	72
13	44

code	way of distribution
1	parallel
2	tandem (series parallel)

Table / Tablo 5

code kod	spool type / sürgü tipi
A	
B	
C	
D	
E	
F	
G	
H	
M	
N	
O	
P	
Q	
R	
S	
T	
L	

Table / Tablo 6

code kod	spool control / sürgü kontrolü
1	
2	
3	
4	
5	
6	
7	
8	
9	
10	
11	
12	
13	

code	incorporated microswitch	
E		microswitch type omron-V 165 I C 5

code	operation feature	
P		on-off pneumatic control; 5-10 bar; ports G1/4
H		on-off hydraulic control; pn = 5-20 bar; ports G1/4

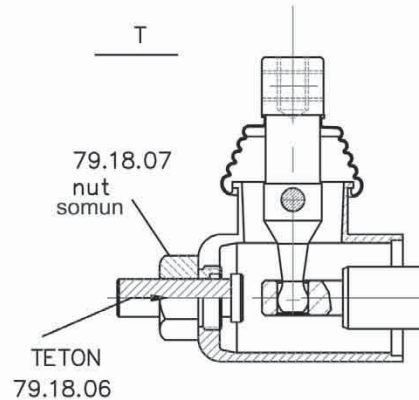
code	ports (treads)			
	P	A ; B	T	N
M	M22x1.5	M22x1.5	M26x1.5	M26x1.5
G	G1/2	G1/2	G3/4	G3/4
S	7/8-14UNF	7/8-14UNF	1 1/16-14UNF	1 1/16-14UNF

Table / Tablo 10

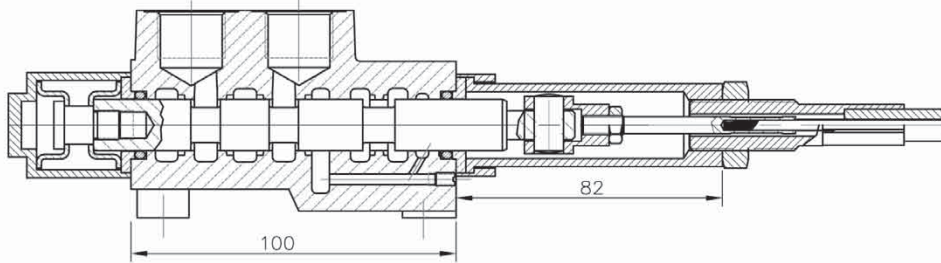
code kod	feature / özellik	code kod	feature / özellik	code kod	feature / özellik
KZ		KY		KI	
KZ1		KY1		KI1	
KZ0		KY0		KI0	
KZ01		KY01		KI01	
-	without hand control / elle kontrol olmadan				

code	feature / özellik	
C	closed center	
C1	part for power beyond sleeve (carry over)	
C2	part for power beyond sleeve (carry over)	
-	without part for pressure carry over	
X	power beyond ever to tank	

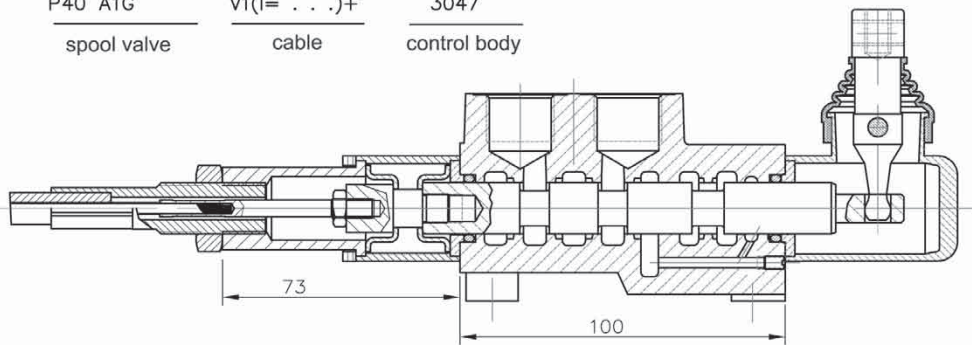
code	used connection ports	
11	P1 ; T1	
12	P1 ; T2	
21	P2 ; T1	
22	P2 ; T2	



REMOTE CONTROLS

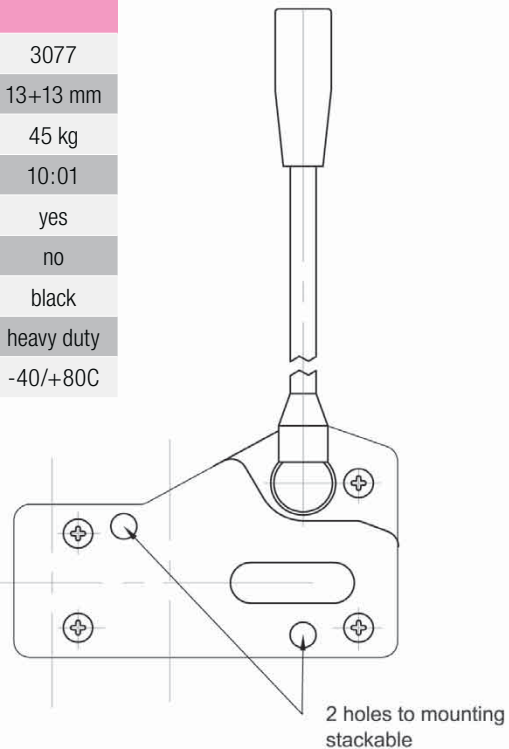


P40 A1G spool valve V1(I= . . .)+ cable 3047 control body



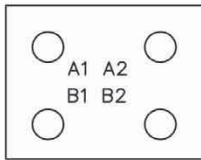
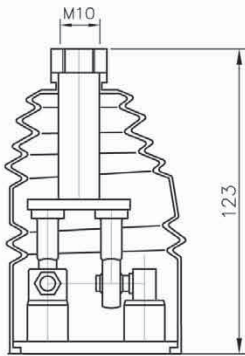
P40 A1G spool valve V2KZ1(I= . . .)+ cable 3047 control body

technical specifications			
	3047	3076	3077
stroke	13+13 mm	13+13 mm	13+13 mm
max. load	45 kg	45 kg	45 kg
level ratio	10:01	10:01	10:01
lock in neutral	no	no	yes
antireverse lock	no	yes	no
body color	black	black	black
cables type	heavy duty	heavy duty	heavy duty
operating temperature	-40/+80C	-40/+80C	-40/+80C

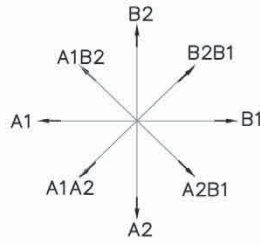
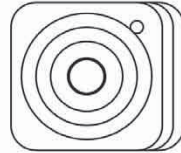


High solidity controls for easy mounting on every type of distributor. They can be mounted stand alone or packed together. They use push-pull heavy duty cables that provide a positive smooth operating lever and are manufactured in three different models to meet different needs of Clients.

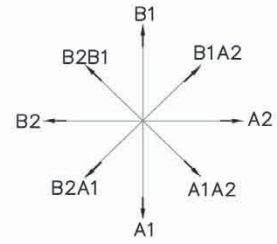
JOYSTICK“+”
his control gives the possibility to operate, at the same time two spool with a “+” movement



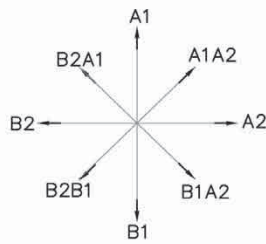
standart versiyon 1



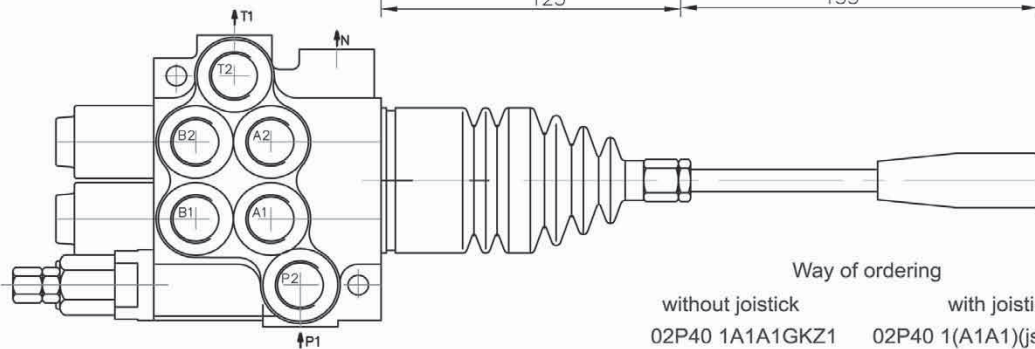
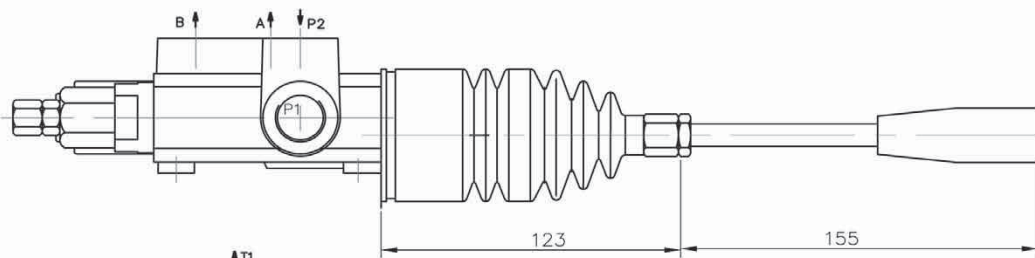
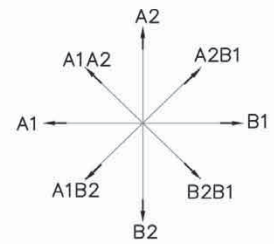
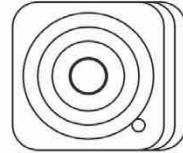
standart versiyon 2



standart versiyon 3



standart versiyon 4



Way of ordering

without joystick

02P40 1A1A1GKZ1

with joystick

02P40 1(A1A1)(js+3)G